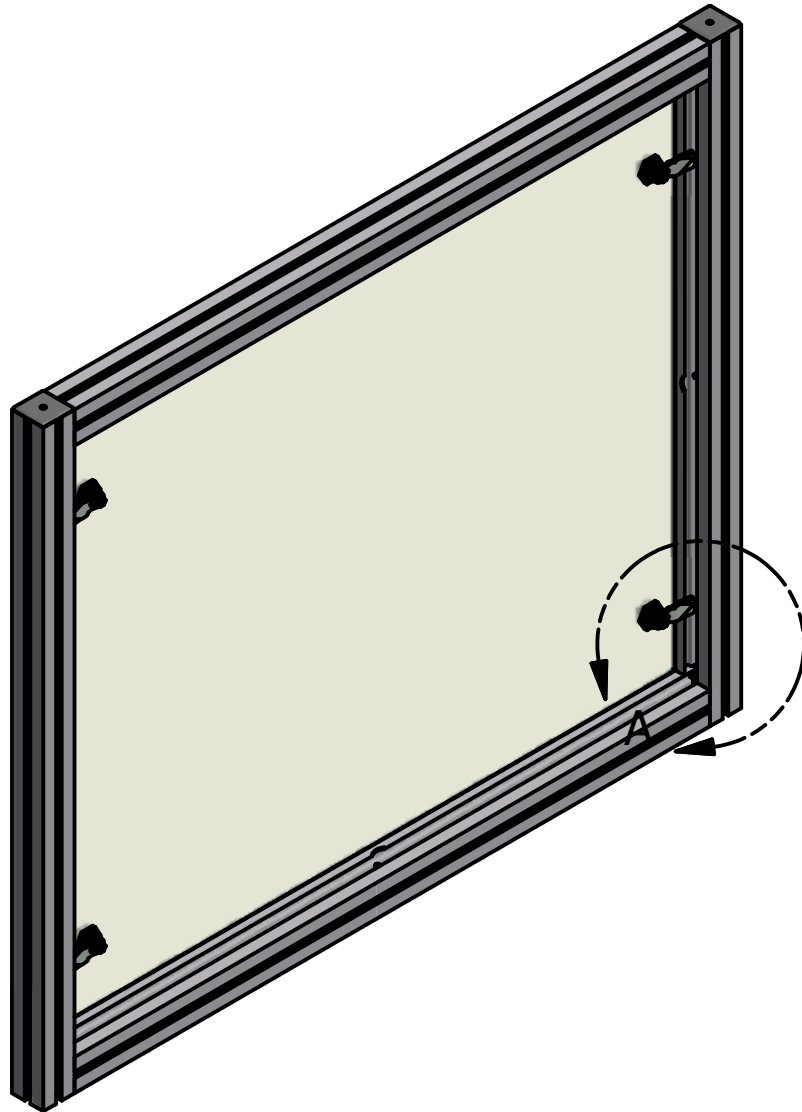
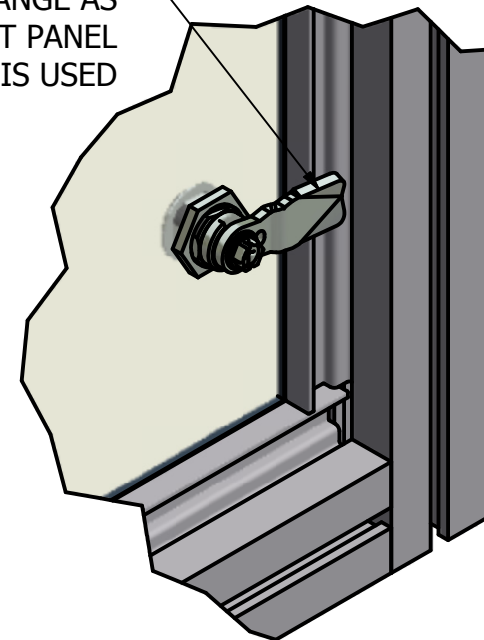



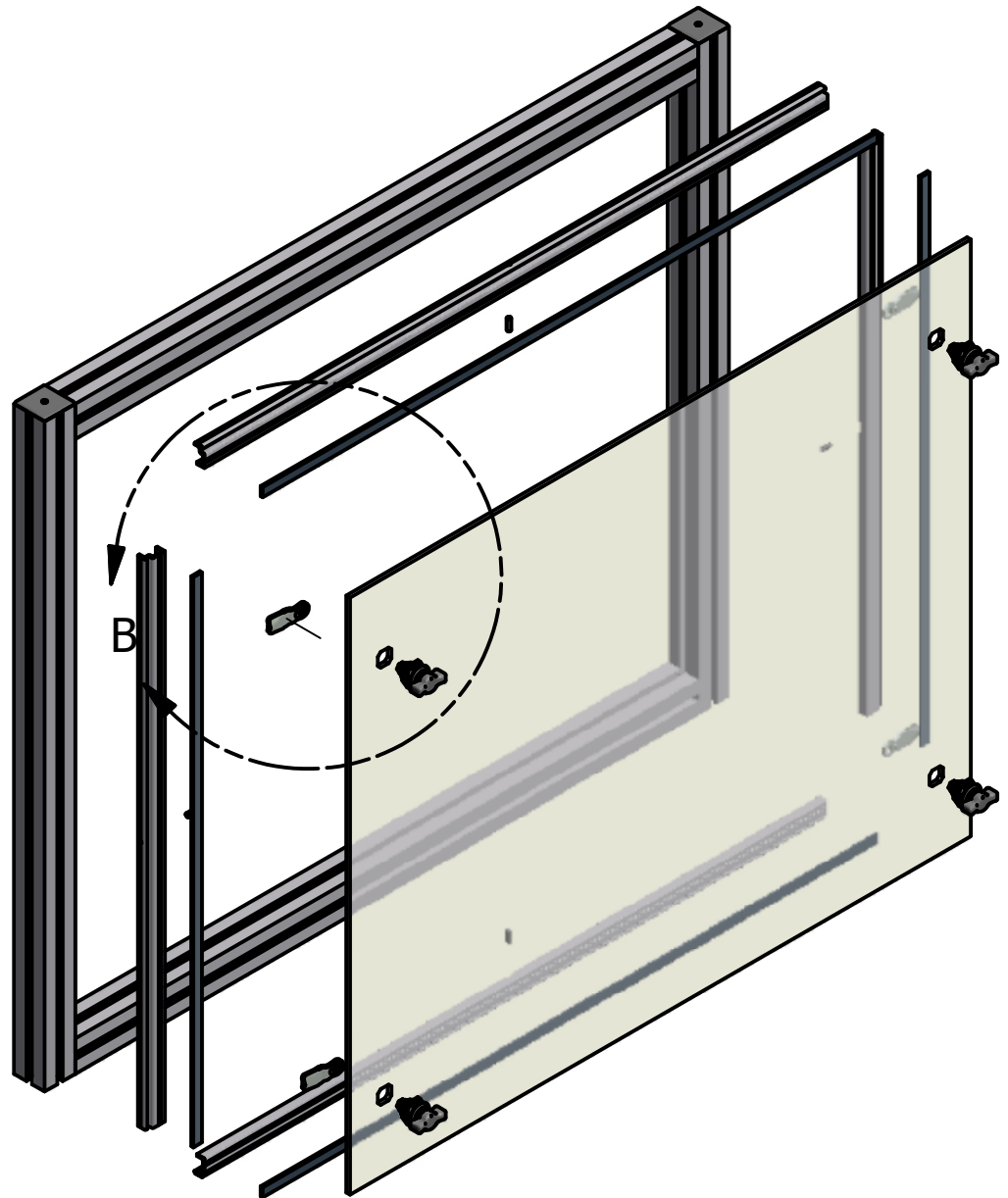
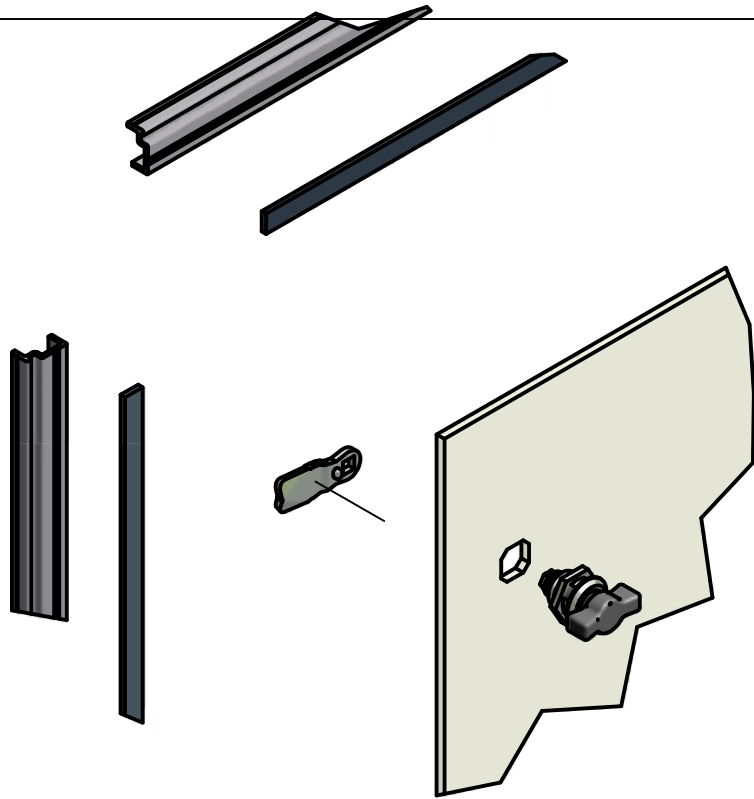
PROJECT SP012113-1 MAIN ASSY			WWW.MINITECFRAMING.COM VICTOR, NY PH # 585 924-4690 DIRECT 585 398-1240 EXT 104 FX # 585 924-4821 amoles@minitecframing.com	
DRAWN BY ANDY MOLES				
DATE 3/18/2013				
DRAWN FOR MINITEC'S CUSTOMER	TITLE REMOVABLE PANEL ASSY	DWG NO SP012113-1	REV	
TOLERANCES UNLESS OTHERWISE NOTED .X +/- .12" .XX +/- .015" .XXX +/- .010"		MATERIAL		SHEET 1 OF 5
		FINISH		



21.1093_12 CAM+2
 FOR 1/4" PANEL. CHANGE AS
 REQ. IF DIFFERENT PANEL
 THICKNESS IS USED




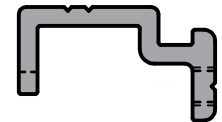
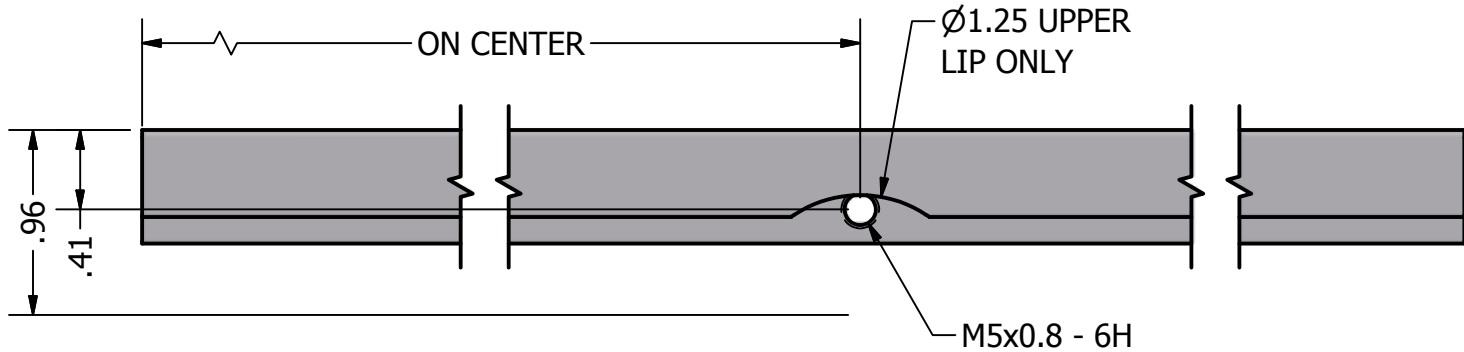
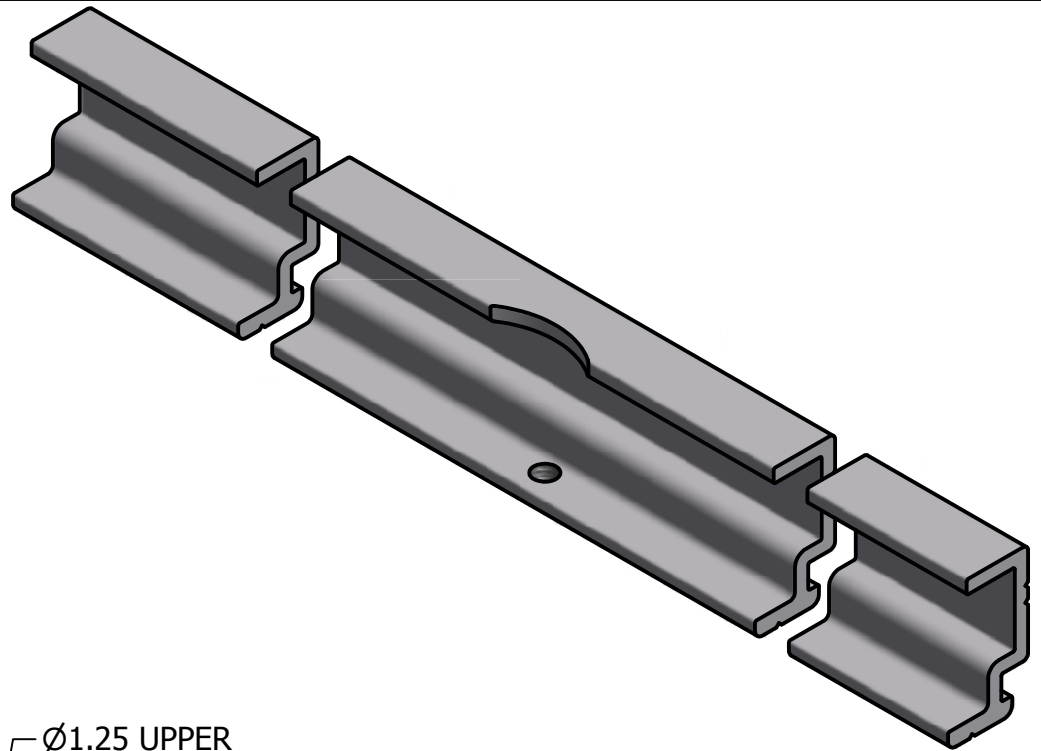
PROJECT SP012113-1 MAIN ASSY			WWW.MINITECFRAMING.COM	
DRAWN BY ANDY MOLES			VICTOR, NY	
DATE 3/18/2013			PH # 585 924-4690 DIRECT 585 398-1240 EXT 104 FX # 585 924-4821 amoles@minitecframing.com	
DRAWN FOR MINITEC'S CUSTOMER		TITLE REMOVABLE PANEL ASSY	DWG NO SP012113-1	REV
TOLERANCES UNLESS OTHERWISE NOTED .X +/- .125" .XX +/- .015" .XXX +/- .010"		MATERIAL		SHEET 2 OF 5
		FINISH		




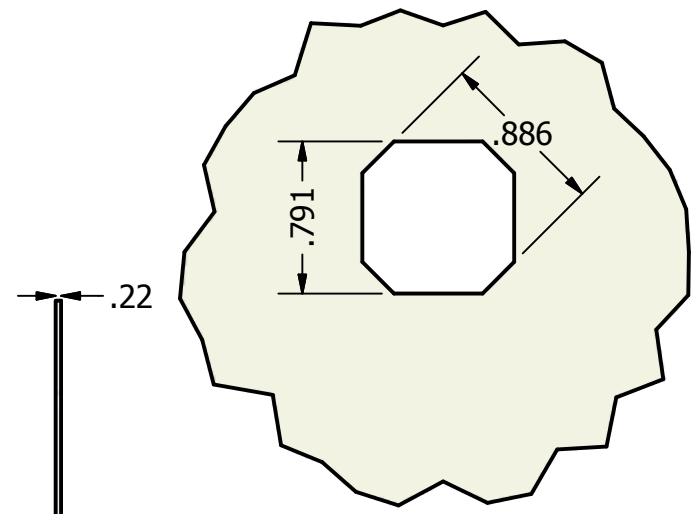
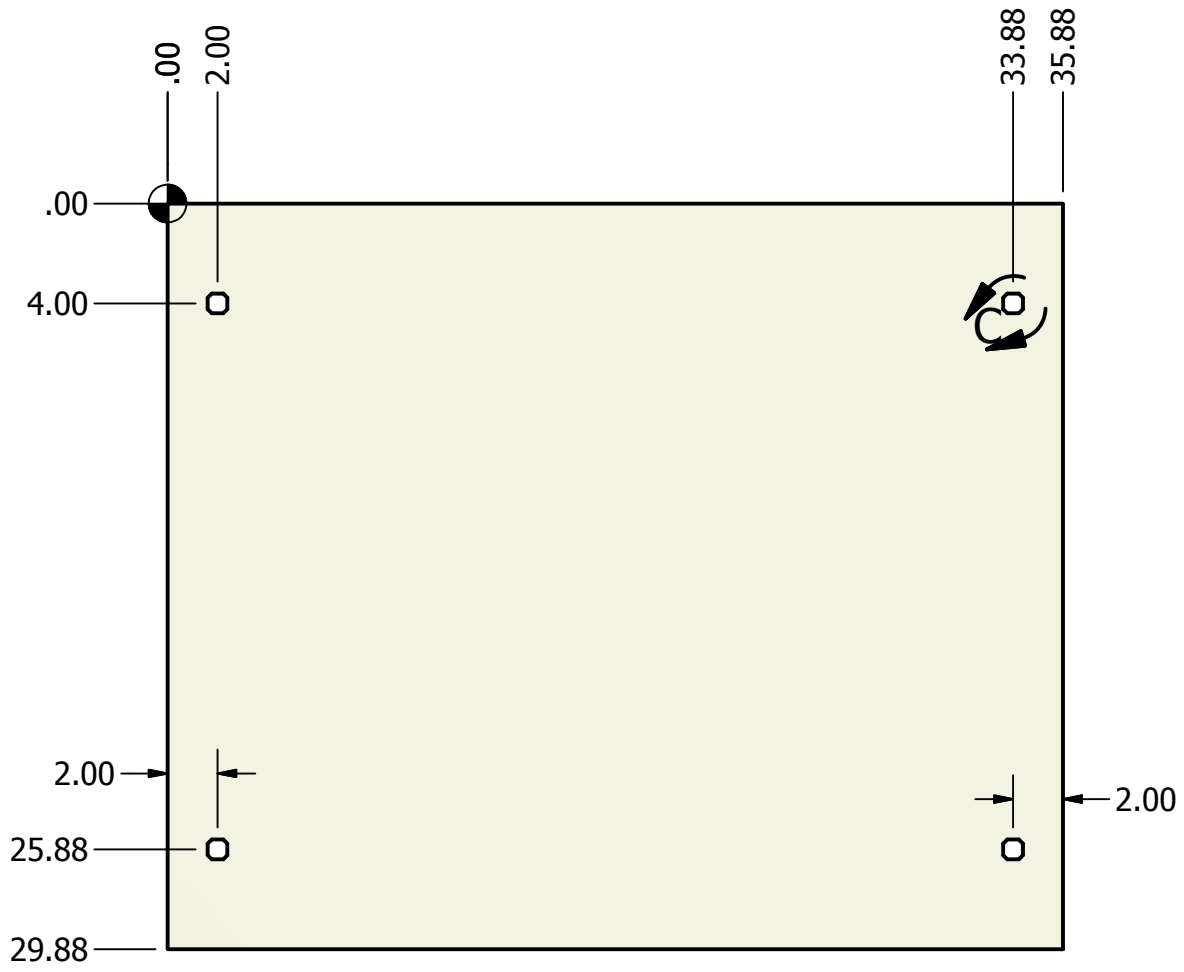
PARTS LIST QTY 1

ITEM	PART #	DESCRIPTION	QTY
9	SP012113-1	ALUMINUM FRAME	1
2	20.1121 SUPP PROF.	MACH. TO SP012113-1-1	2
5	21.1302	M5x16 Set Screw Flat Point DIN 913 Zinc Plated	4
1	SPECIFY PANEL TYPE	Mach. TO SP012113-1-2	1
4	21.9301	T-HANDLE 8	4
6	21.1093_12 CAM+2	Cam Latch +2 Offset	4
7	22.9221	GASKET EDPM 1/8" X 1/2"	4
3	20.1121 SUP PROF.	MACH. TO SP012113-1-1	2

PROJECT SP012113-1 MAIN ASSY			<small>WWW.MINITECFRAMING.COM VICTOR, NY PH # 585 924-4690 DIRECT 585 398-1240 EXT 104 FX # 585 924-4821 amoles@minitecframing.com</small>	
DRAWN BY ANDY MOLES			DATE 3/18/2013	
DRAWN FOR MINITEC'S CUSTOMER			TITLE REMOVABLE PANEL ASSY	DWG NO SP012113-1
<small>TOLERANCES UNLESS OTHERWISE NOTED X +/- .125" .XX +/- .015" .XXX +/- .010"</small>		MATERIAL	FINISH	
SHEET 3 OF 5				



PROJECT SP012113-1 MAIN ASSY		 <small>WWW.MINITECFRAMING.COM VICTOR, NY PH # 585 924-4690 DIRECT 585 398-1240 EXT 104 FX # 585 924-4821 amoles@minitecframing.com</small>	
DRAWN BY ANDY MOLES			
DATE 3/18/2013			
DRAWN FOR MINITEC'S CUSTOMER	TITLE REMOVABLE PANEL ASSY	DWG NO 20.1121 SUP PROF.	REV
<small>TOLERANCES UNLESS OTHERWISE NOTED X +/- .125" .XX +/- .015" .XXX +/- .010"</small>		MATERIAL SP012113-1-1	FINISH
			SHEET 4 OF 5



DETAIL C
SCALE 1

PROJECT SP012113-1 MAIN ASSY			<small>WWW.MINITECFRAMING.COM VICTOR, NY PH # 585 924-4690 DIRECT 585 398-1240 EXT 104 FX # 585 924-4821 amoles@minitecframing.com</small>	
DRAWN BY ANDY MOLES			DWG NO	
DATE 3/18/2013			SPECIFY PANEL TYPE	
DRAWN FOR MINITEC'S CUSTOMER	TITLE REMOVABLE PANEL ASSY	DWG NO	REV	
TOLERANCES UNLESS OTHERWISE NOTED X +/- .125" .XX +/- .015" .XXX +/- .010"		MATERIAL SP012113-1-2		SHEET 5 OF 5
FINISH				